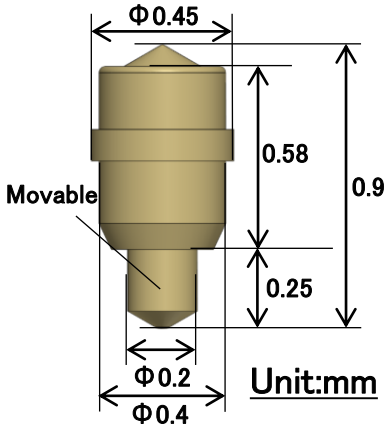


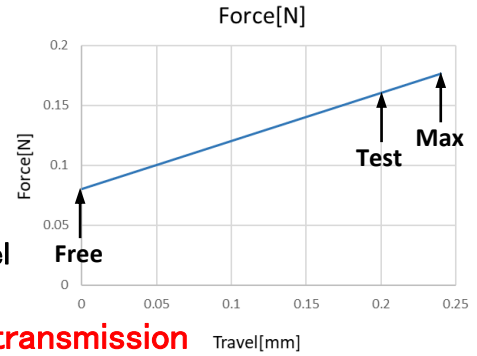
Super Short Spring Probe

Model: KP_OM_P_045009-1

Specification

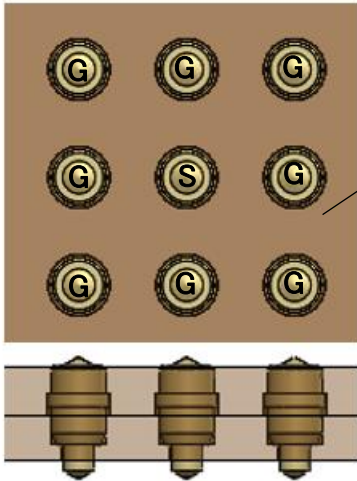


- Test Height : 0.7mm
- Force : 0.160N @ 0.2mm Travel
- Life Span : 500k cycle
- Pitch : 0.5mm ~ 1.0mm
- Operating Temp : -20°C ~ +120°C
- C-Res : 50mΩ (AVE) @ 0.2mm Travel



- Ideal for high frequency signal transmission
- Customizable according to the use

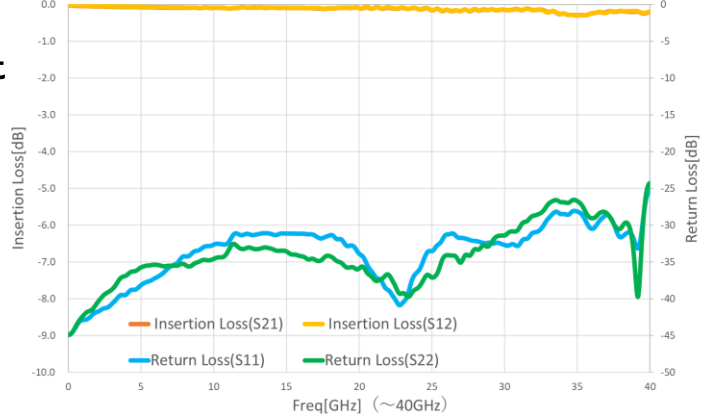
High frequency characteristics



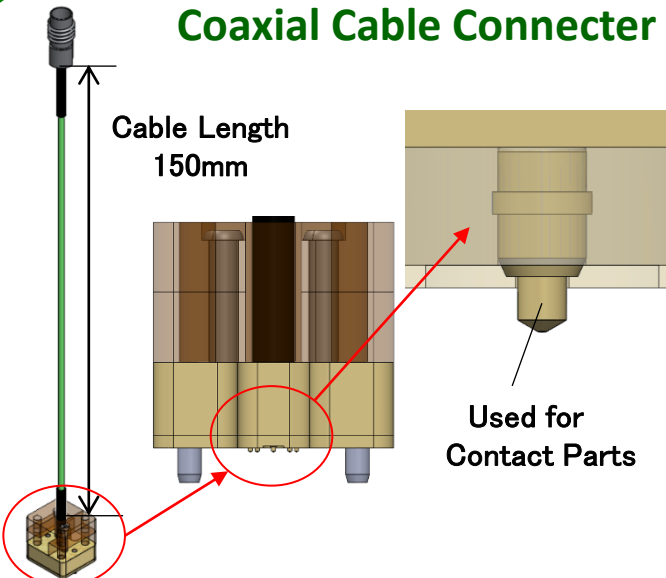
Measuring Unit

Pitch : 0.8mm
Material : PEI

Short Spring Probe S-Parameter



Coaxial Cable Connector with Short Spring Probe



Coaxial Cable Connector with Short Spring Probe S-Parameter

